

FORCE SENSITIVE RESISTOR (FSR)

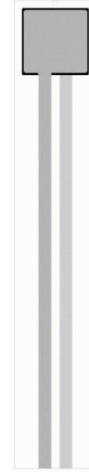
THRU Mode

FRX2TO

Datasheet

Features

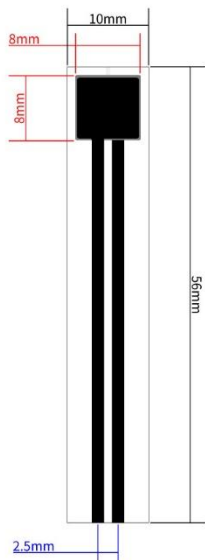
- Lightweight precise sensing
- Miniature configuration
- Flexible and lightweight
- Ultra-thin
- Instant responding sensitivity
- Low actuation force
- Low power consumption
- Robust
- Easy to integrate



FRX2TO
Force sensitive resistor - Thru mode



Technical specifications



Technical dimension

FRX2TO
Force sensitive resistor - Thru mode



Sensor	FRX2TO
Length	56mm
Width	10mm
Active area	8mm x 8mm
Pin spacing	2.5mm
Nominal thickness	0.33mm
Substrate	PET
Sensor style	Open
Connector	2-pin male solder tabs
Thickness	0.73mm
Width	1.6mm

Note: Ceradex offer customize sensor solution for application-specific integration. Including the sensor’s dimension, single-zone or multi-zone sensing area, connector options, waterproofs, humidity tolerance, and heat tolerance. Contact us for more information.

Characteristics

Sensor type	Thru mode
Force sensing range	50 g - 10 kg
Actuation force	≤ 50 g
Force resolution	Continuous (analog)
Force repeatability	Single part ± 2%
Non-actuated resistance	> 10M Ω (Ohm)
Response time	< 40 ms
Operation temperature	-20°C - +60°C

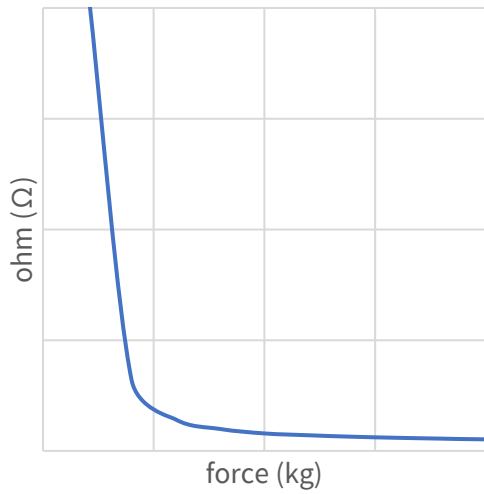
Durability

Tap durability	1kg/1Hz	> 10M actuation
Standing load durability	2.5kg/24hr	< 5%
Operating temperature performance		
Cold	-40°C/1hr	< 5%
Hot	+60°C/1hr	< 15%
Storage temperature performance		
Cold	-40°C/1hr	< 10%
Hot	+60°C/1hr	< 15%

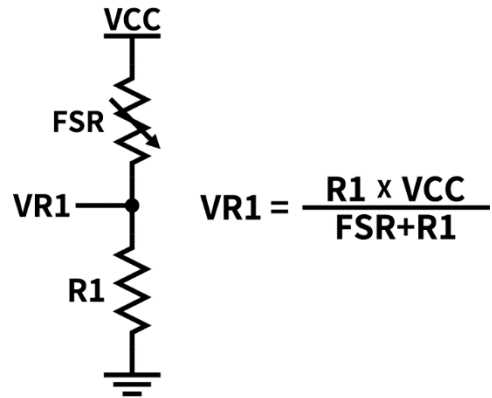
Safety

Maximum driving power	< 240mW
Electromagnetic interference (EMI)	No
Electrostatic discharge (ESD)	No

Response curve



Electrical layout



Note: Force sensing range, response curve, and actuation force can be modified in Ceradex’s customized sensor solution.

Applications

Grips applications

Sportwear grips/steering wheel/game controller pressure detection and monitoring.

Occupancy detection

Seat/bed occupancy indicator for safety and monitoring.

User Interface

Can be operated under glove-wearing conditions and detects touch/press control as switches and keypads.

Biomedical pressure analysis

Can be used in wearable devices such as foot sensing and posture analysis.

CERADEX
Ceradex Corporation

Tel : +886 3 365-6878

Mail : salesdpt@ceradex.com.tw

Fax : +886 3 365-6879

Add : No.1, Ruiyuan 1st St., Bade Dist., Taoyuan City 33447, Taiwan