

MEMBRANE POTENTIOMETER RING

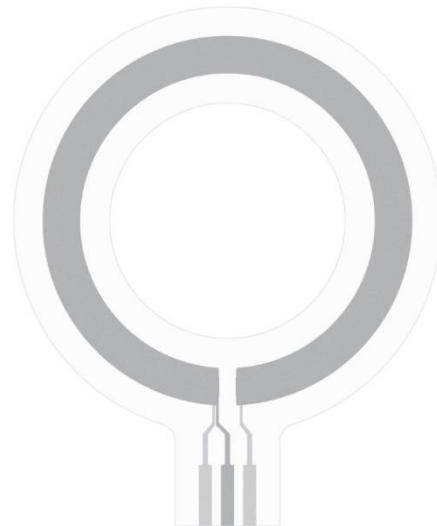
THRU Mode

PTX2T

Datasheet

Features

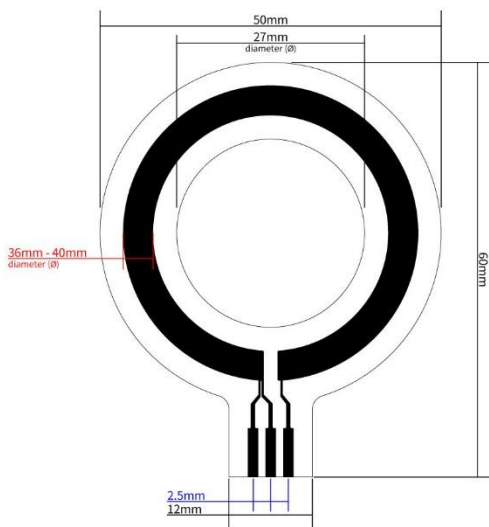
- Ring slider position sensing
- Can be use with stylus, finger, gloves
- Flexible and lightweight
- Ultra-thin
- Instant responding sensitivity
- Low actuation force
- Low power consumption
- Robust
- Easy to integrate
- Can be use without a microprocessor



PTX2T
Membrane potentiometer - Ring



Technical specifications



PTX2T
Membrane potentiometer - Ring



Technical dimension

Sensor	PTX2T
Length	60mm
Width	50mm
Active area	36mm – 40mm diameter (Ø)
Pin spacing	2.5mm
Nominal thickness	0.33mm
Substrate	PET
Sensor style	Close
Connector	3-pin male solder tabs
Thickness	0.73mm
Width	1.6mm

Note: Ceradex offer customize sensor solution for application-specific integration. Including the sensor’s dimension, single-zone or multi-zone sensing area, connector options, waterproofs, humidity tolerance, and heat tolerance. Contact us for more information.

Characteristics

Sensor type	Thru mode
Position sensing range	6° - 355°
Position resolution	≤ 5°
Actuation force	≤ 200 g/cm ²
Non-actuated resistance	> 10M Ω (Ohm)
Response time	< 40 ms
Operation temperature	-20°C - +60°C

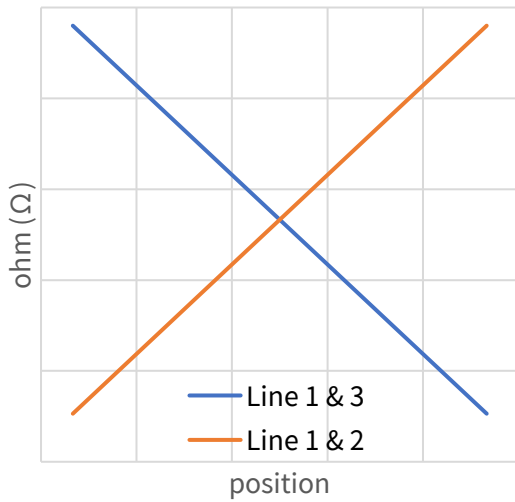
Durability

Tap durability	1kg/1Hz	> 10M actuation
Standing load durability	2.5kg/24hr	< 5%
Operating temperature performance		
Cold	-40°C/1hr	< 5%
Hot	+60°C/1hr	< 15%
Storage temperature performance		
Cold	-40°C/1hr	< 10%
Hot	+60°C/1hr	< 15%

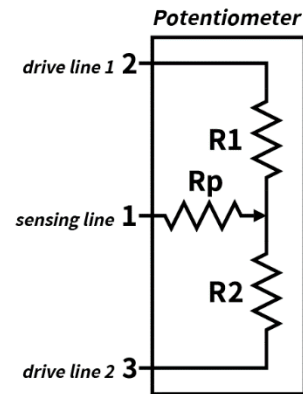
Safety

Maximum driving power	< 240mW
Electromagnetic interference (EMI)	No
Electrostatic discharge (ESD)	No

Response curve



Electrical layout



Note: Position resolution, and actuation force can be modified in Ceradex’s customized sensor solution.

Applications

User Interface

Can be operated under glove-wearing conditions and detects touch/press control as dimmer and scrollbar.

Fluid control

Micro adjustment in flow control and pumping rate.

Implant diagnosis

Electronics surface for production flow analysis and monitoring.

CERADEX
Ceradex Corporation

Tel : +886 3 365-6878

Fax : +886 3 365-6879

Mail : salesdpt@ceradex.com.tw

Add : No.1, Ruiyuan 1st St., Bade Dist., Taoyuan City 33447, Taiwan